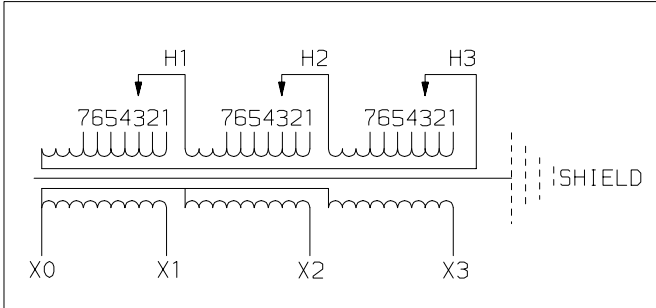


Transformers

- Kohler Rental Power provides one-source responsibility for the generating system and accessories.
- Choose from several transformer models with inputs of 208-480 volts and 120/240 volt or 120/208 volt outputs.



kVA	Ph	Primary Voltages	Primary Configuration	Secondary Voltage	Reference Illustration
45	3	208	Delta	120/208 wye	3646
45	3	480	Delta	120/208 wye	3646
75	3	208	Delta	120/208 wye	3647
75	3	480	Delta	120/208 wye	3647
150	3	480	Delta	120/208 wye	3540
150	3	480	Delta	120/240	3540
225	3	480	Delta	120/208 wye	3541
225	3	480	Delta	120/240	3541
500	3	480	Delta	120/208 wye	3543
500	3	480	Delta	120/240	3543
750	3	480	Delta	120/208 wye	3429

IN EACH PHASE CONNECT TO TAPS	
PRIMARY VOLTS	2-2.5% FCAN
504	1
492	2
480	3
468	4
456	5
-	-
-	-

TRANSFORMER SPECIFICATIONS:
 KVA 750 PHASE 3 HERTZ 60
 HIGH VOLTAGE 480 DELTA
 LOW VOLTAGE 208Y/120
 TYPE S0 APPROX WT 3950 LBS/1778 KG
 220 °C INS. SYSTEM FOR 150 °C RISE
 64 dB SOUND LEVEL
 40 ° C AMBIENT

NOTES:
 UL LISTED
 NEMA 2 VENTILATED ENCLOSURE
 ALUMINUM WOUND
 MINIMUM CLEARANCE OF 6" MUST BE MAINTAINED BETWEEN VENT OPENINGS AND OTHER OBSTRUCTIONS
 USE WEATHERSHIELD CAT WS384 FOR NEMA 3R

750 KVA GENERAL PURPOSE TRANSFORMER
 CATALOG NO: 750T68H

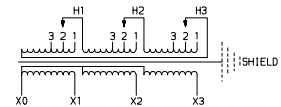
DRAWN BY: NAZ

DATE: 06/11/01

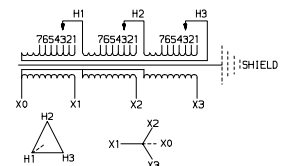
DWG NAME **3429**

REV NO 01

DRY-TYPE TRANSFORMER
 45 KVA 3Ø 60HZ
 480V OR 208V DELTA PRIMARY
 208Y/120V SECONDARY WITH ELECTROSTATIC SHIELD
 NEMA 2 ENCLOSURE TYPE



PRIMARY 208 DELTA



PRIMARY 480 DELTA

IN EACH PHASE CONNECT TO TAP	
PRIMARY VOLTS	2-2.5% FCAN 4-2.5% FCBN
504	1
492	2
480	3
468	4
456	5
444	6
432	7

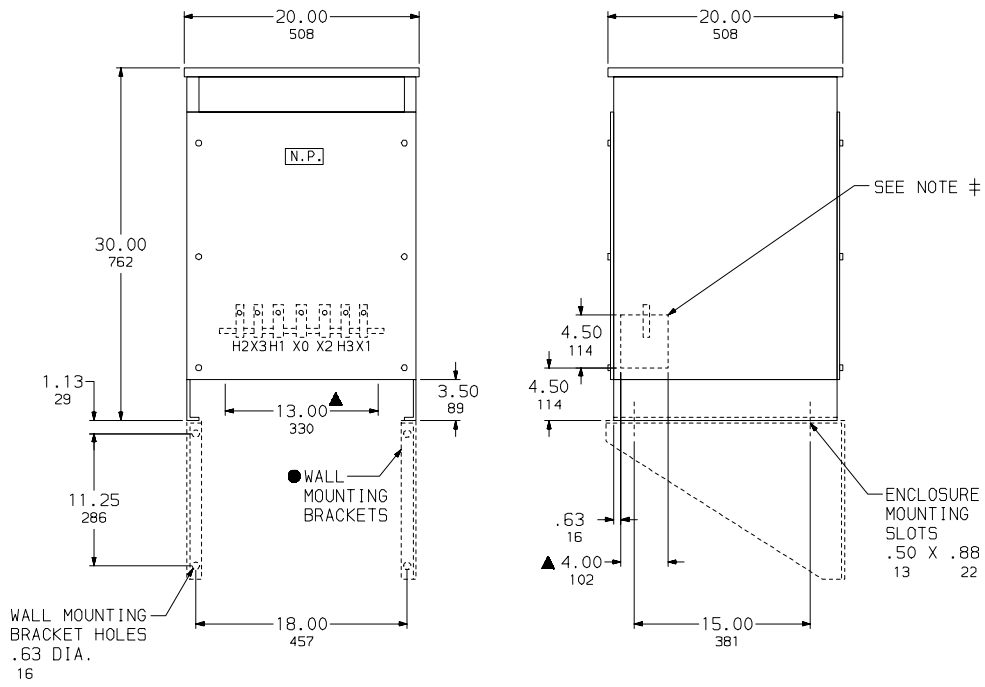
IN EACH PHASE CONNECT TO TAP	
PRIMARY VOLTS	2-5% FCBN
208	1
198	2
188	3

KVA	CATALOG NUMBERS		GUAR. SOUND LEVEL IN DB'S	WGT LBS	AVG % Z
	480 DELTA PRIMARY	208 DELTA PRIMARY			
45	45T3H15	45T85H15	45	330	6.4

DWG. NO. **3646**

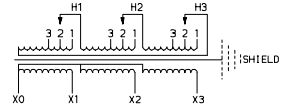
DRY-TYPE TRANSFORMER
 45 KVA 3Ø 60HZ
 480V OR 208V DELTA PRIMARY
 208Y/120V SECONDARY WITH ELECTROSTATIC SHIELD
 NEMA 2 ENCLOSURE TYPE

DUAL DIMENSIONS: INCHES
 MILLIMETERS

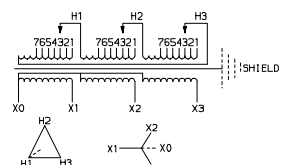


NOTES: UL LISTED
 150°C RISE ABOVE 40°C AMBIENT
 MINIMUM CLEARANCE OF 6.00IN / 152MM BETWEEN VENT OPENINGS,
 WALL OR OTHER OBSTRUCTION.
 USE WEATHERSHIELD CATALOG NO. W5363
 ● WALL MOUNTING BRACKETS CATALOG NO. WMB363-364
 ▲ SPACE AVAILABLE IN BOTTOM FOR CUSTOMERS CONDUIT ENTRANCE.
 † SPACE AVAILABLE ON BOTH ENDS FOR CUSTOMERS CONDUIT.

DRY-TYPE TRANSFORMER
 75 KVA 3Ø 60HZ
 480V OR 208V DELTA PRIMARY
 208Y/120V SECONDARY WITH ELECTROSTATIC SHIELD
 NEMA 2 ENCLOSURE TYPE



PRIMARY 208 DELTA



PRIMARY 480 DELTA

IN EACH PHASE CONNECT TO TAP	
PRIMARY VOLTS	2-2.5% FCAN 4-2.5% FCBN
504	1
492	2
480	3
468	4
456	5
444	6
432	7

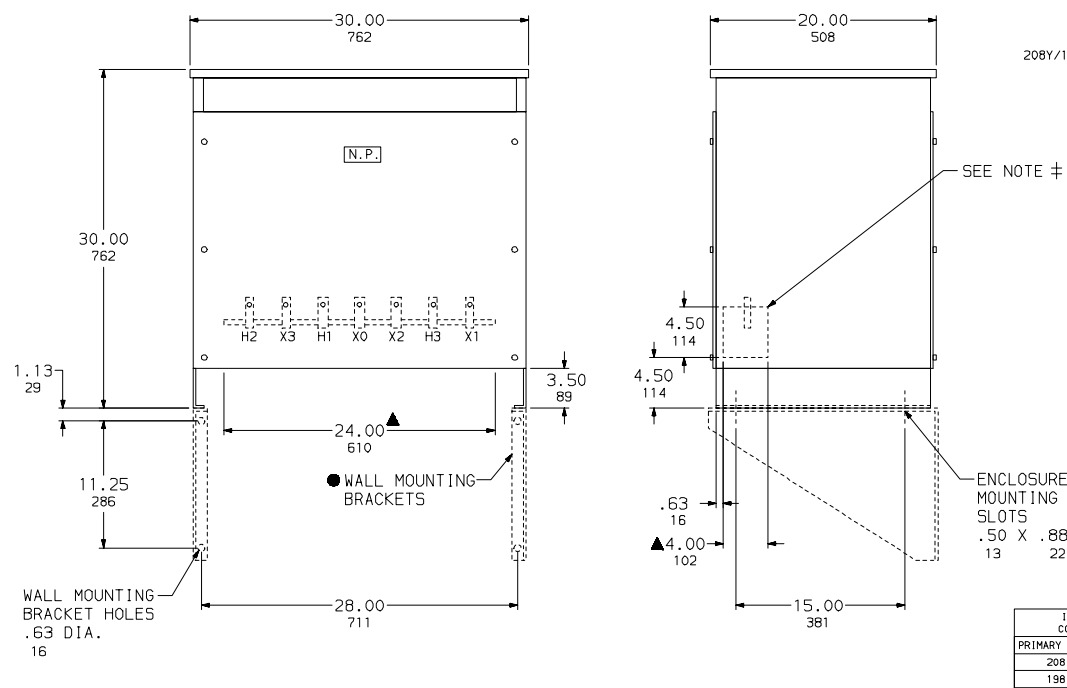
IN EACH PHASE CONNECT TO TAP	
PRIMARY VOLTS	2-5% FCBN
208	1
198	2
188	3

KVA	CATALOG NUMBERS		GUAR. SOUND LEVEL IN DB'S	WGT LBS	AVG % Z
	480 DELTA PRIMARY	208 DELTA PRIMARY			
75	75T3H15	75T85H15	50	500	5.7

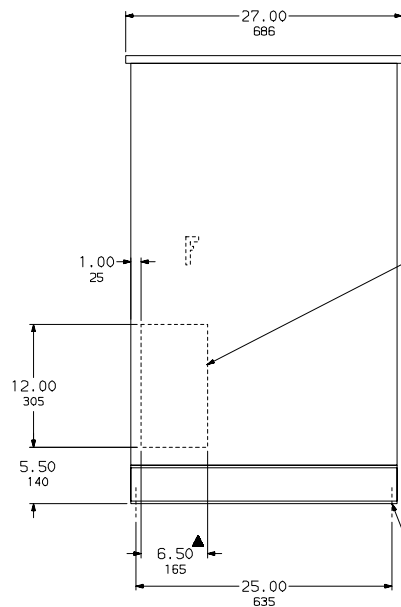
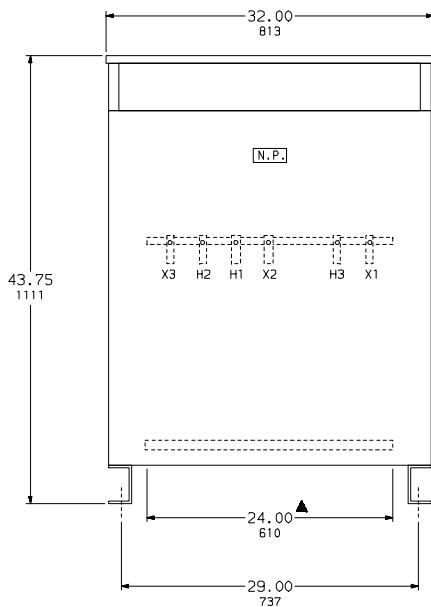
DWG. NO. **3647**

DRY-TYPE TRANSFORMER
 75 KVA 3Ø 60HZ
 480V OR 208V DELTA PRIMARY
 208Y/120V SECONDARY WITH ELECTROSTATIC SHIELD
 NEMA 2 ENCLOSURE TYPE

DUAL DIMENSIONS: INCHES
 MILLIMETERS

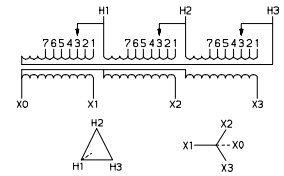


NOTES: UL LISTED
 150°C RISE ABOVE 40°C AMBIENT
 MINIMUM CLEARANCE OF 6.00IN / 152MM BETWEEN VENT OPENINGS,
 WALL OR OTHER OBSTRUCTION.
 USE WEATHERSHIELD CATALOG NO. W5364
 ● WALL MOUNTING BRACKETS CATALOG NO. WMB363-364
 ▲ SPACE AVAILABLE IN BOTTOM FOR CUSTOMERS CONDUIT ENTRANCE.
 † SPACE AVAILABLE ON BOTH ENDS FOR CUSTOMERS CONDUIT.

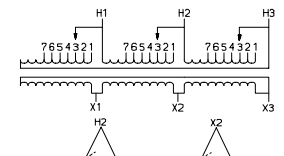


DRY-TYPE TRANSFORMER
150 KVA 3Ø 60HZ
480V DELTA PRIMARY
EMA 2 ENCLOSURE TYPE

IN EACH PHASE CONNECT TO TAPS		
PRIMARY VOLTS	2-2.5% FCAN	4-2.5% FCBN
504	1	
492	2	
480	3	
468	4	
456	5	
444	6	
432	7	



SECONDARY 208Y/120V 6 TAPS



SECONDARY 240V DELTA 6 TAPS

SEE NOTE †

ALL MOUNTING HOLES
.63 DIA.
16

NOTES: UL LISTED
150°C RISE ABOVE 40°C AMBIENT
MINIMUM CLEARANCE OF 6.00IN / 152MM BETWEEN VENT OPENINGS,
WALL OR OTHER OBSTRUCTION.
USE WEATHERSHIELD CATALOG NO. W5380
▲ SPACE AVAILABLE IN BOTTOM FOR CUSTOMERS CONDUIT ENTRANCE.
‡ SPACE AVAILABLE ON BOTH ENDS FOR CUSTOMERS CONDUIT.

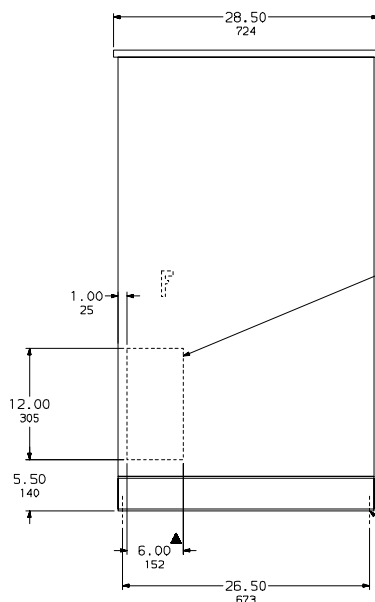
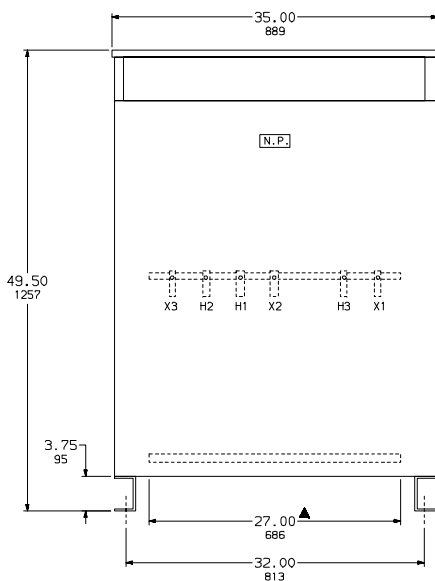
DUAL DIMENSIONS, INCHES
MILLIMETERS

DRY-TYPE TRANSFORMER
150 KVA 3Ø 60HZ
480V DELTA PRIMARY
NEMA 2 ENCLOSURE TYPE

KVA	CATALOG NUMBERS		GUAR. SOUND LEVEL IN DB'S	WGT LBS	AVG % Z
	208Y/120V SECONDARY	240V DELTA SECONDARY			
150	150T3H	150T6H	50	982	5.1

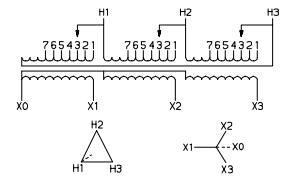
DM6.
NO.

3540

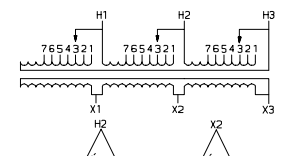


DRY-TYPE TRANSFORMER
225 KVA 3Ø 60HZ
480V DELTA PRIMARY
NEMA 2 ENCLOSURE TYPE

IN EACH PHASE CONNECT TO TAPS		
PRIMARY VOLTS	2-2.5% FCAN	4-2.5% FCBN
504	1	
492	2	
480	3	
468	4	
456	5	
444	6	
432	7	



SECONDARY 208Y/120V 6 TAPS



SECONDARY 240V DELTA 6 TAPS

SEE NOTE †

ALL MOUNTING HOLES
.63 DIA.
16

NOTES: UL LISTED
150°C RISE ABOVE 40°C AMBIENT
MINIMUM CLEARANCE OF 6.00IN / 152MM BETWEEN VENT OPENINGS,
WALL OR OTHER OBSTRUCTION.
USE WEATHERSHIELD CATALOG NO. W5381
▲ SPACE AVAILABLE IN BOTTOM FOR CUSTOMERS CONDUIT ENTRANCE.
‡ SPACE AVAILABLE ON BOTH ENDS FOR CUSTOMERS CONDUIT.

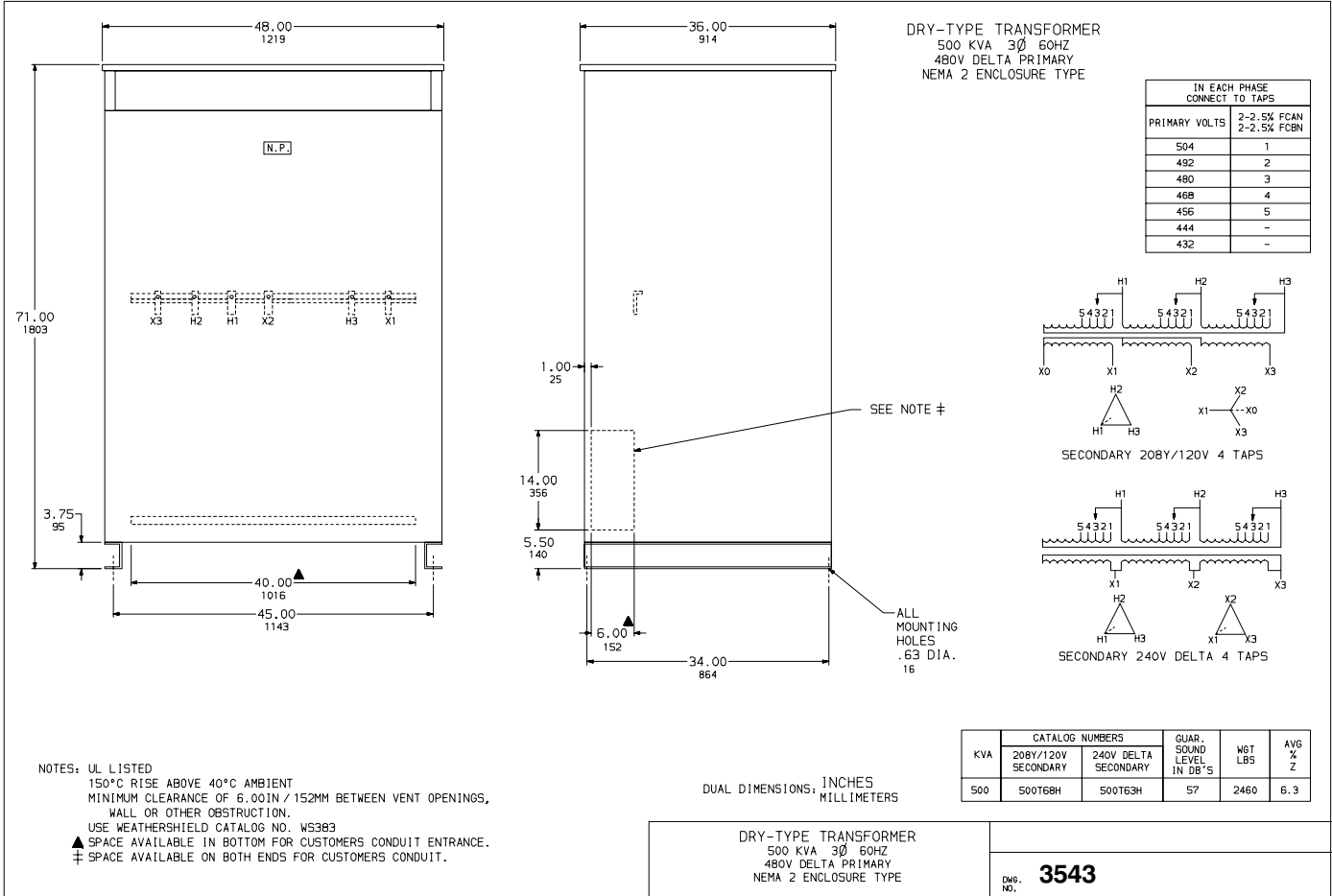
DUAL DIMENSIONS, INCHES
MILLIMETERS

DRY-TYPE TRANSFORMER
225 KVA 3Ø 60HZ
480V DELTA PRIMARY
NEMA 2 ENCLOSURE TYPE

KVA	CATALOG NUMBERS		GUAR. SOUND LEVEL IN DB'S	WGT LBS	AVG % Z
	208Y/120V SECONDARY	240V DELTA SECONDARY			
225	225T3H	225T6H	55	1275	6.2

DM6.
NO.

3541



DISTRIBUTED BY:

Availability is subject to change without notice. Kohler Co. reserves the right to change the design or specifications without notice and without any obligation or liability whatsoever. Contact your local Kohler™ Rental Power regional office for availability.